

Compact Disc Player

Operating Instructions

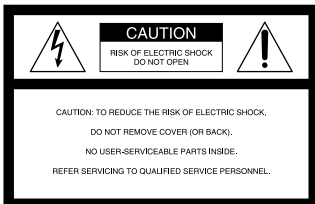


CDP-CE575

WARNING

To prevent fire or shock hazard, do not expose the unit to rain or moisture.

To avoid electrical shock, do not open the cabinet. Refer servicing to qualified personnel only.



This symbol is intended to alert the user to the presence of uninsulated “dangerous voltage” within the product’s enclosure that may be of sufficient magnitude to constitute a risk of electric shock to persons.



This symbol is intended to alert the user to the presence of important operating and maintenance (servicing) instructions in the literature accompanying the appliance.

INFORMATION

This equipment has been tested and found to comply with the limits for a Class B digital device, pursuant to Part 15 of the FCC Rules. These limits are designed to provide reasonable protection against harmful interference in a residential installation. This equipment generates, uses, and can radiate radio frequency energy and, if not installed and used in accordance with the instructions, may cause harmful interference to radio communications. However, there is no guarantee that interference will not occur in a particular installation. If this equipment does cause harmful interference to radio or television reception, which can be determined by turning the equipment off and on, the user is encouraged to try to correct the interference by one or more of the following measures:

- Reorient or relocate the receiving antenna.
- Increase the separation between the equipment and receiver.
- Connect the equipment into an outlet on a circuit different from that to which the receiver is connected.
- Consult the dealer or an experienced radio/TV technician for help.

CAUTION

You are cautioned that any changes or modification not expressly approved in this manual could void your authority to operate this equipment.

Owner’s Record

The model and serial numbers are located at the rear of the unit.

Record the serial number in the space provided below. Refer to them whenever you call upon your Sony dealer regarding this product.

Model No. _____

Serial No. _____

AC power cord must be changed only at the qualified service shop.

Do not install the appliance in a confined space, such as a bookcase or built-in cabinet.

To prevent fire, do not Cover the ventilation of the apparatus with news papers, table-cloths, curtains, etc. And don’t place lighted candles on the apparatus.

To prevent fire or shock hazard, do not place objects filled with liquids, such as vases on the apparatus.

About this manual

The instructions in this manual is for CDP-CE575.

Tip

Instructions in this manual describe the controls on the player.

You can also use the controls on the remote if they have the same or similar names as those on the player.

Table of Contents

Parts Identification **4**

Front Panel	4
Rear Panel	4
Remote Control	5

Getting Started

Inserting Batteries Into the Remote Control	6
Hooking Up the System	6
Connecting Another CD Player	8

Playing CDs

Loading a CD	9
Playing the CD — Normal Play/Shuffle Play/Repeat Play	9
Using the CD display	11
Replacing Discs While Playing a Disc	12
Programming the CD tracks	13
Fading In or Out	14

Recording From CDs

Recording a CD by Specifying Tape Length (Time Edit)	14
Adjusting the Recording Level (Peak Search)	15

Storing Information About CDs (Custom Files)

What You Can Do With the Custom Files	16
Labeling Discs (Disc Name)	16

Using the Player with Another Component

Controlling Another CD Player (Advanced Mega Control)	18
Playing Alternately (No-Delay Play/X-Fade Play)	19

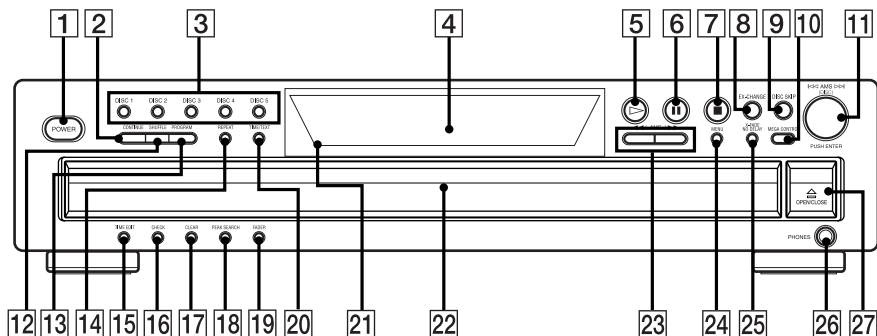
Additional Information

Using the CONTROL A111 control system	20
Precautions	22
Notes on CDs	23
Troubleshooting	Back cover
Specifications	Back cover

Front Panel

The items are arranged in alphabetical order.

Refer to the pages indicated in parentheses () for details.



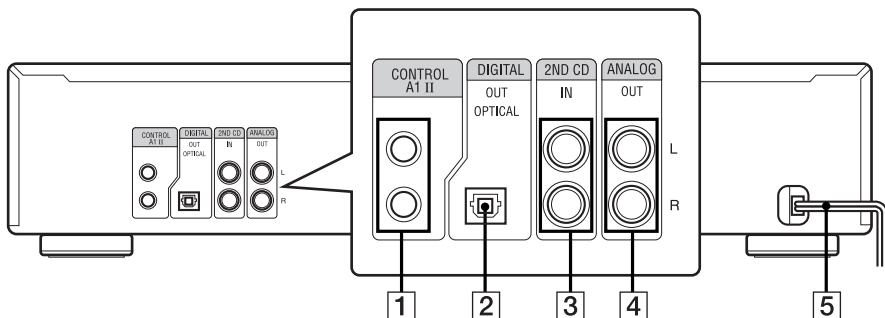
- CHECK **16** (13)
- CLEAR **17** (13, 14, 16, 17)
- CONTINUE **2** (9, 13, 15, 18)
- DISC 1-5 **3** (9, 10, 13)
- Disc compartment **22** (9)
- DISC SKIP **9** (9, 12, 13)
- Display **4** (11)
- EX-CHANGE **8** (12, 15)
- FADER **19** (14, 20)
- MEGA CONTROL **10** (18, 19)
- MENU **24** (8, 16, 17)

- PEAK SEARCH **18** (15)
- PHONES jack **26** (10)
- POWER **1** (7, 9, 16)
- PROGRAM **13** (9, 13, 18)
- Remote sensor **21** (6)
- REPEAT **14** (10, 18)
- SHUFFLE **12** (9, 10, 18)
- TIME EDIT **15** (14)
- TIME/TEXT **20** (11)
- X-FADE/NO DELAY **25** (19, 20)

BUTTON DESCRIPTIONS

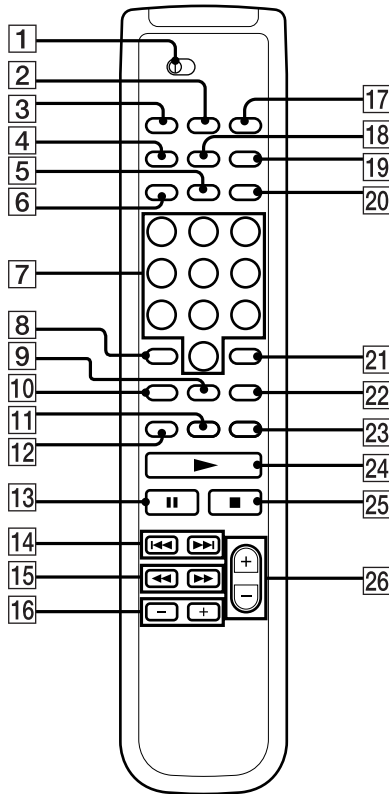
- △ OPEN/CLOSE **27** (7, 9, 10, 11)
- ▷ **5** (9, 13, 15, 18, 20, 22)
- ▬ **6** (10, 15, 18, 22)
- **7** (10, 15, 18)
- ◀◀AMS▶▶ (DISC) dial **11** (10, 13, 15, 17, 18, 19)
- ◀◀▶▶ (AMS+/-) **23** (10, 14, 17, 18)

Rear Panel



- 2ND CD IN jacks **3** (8)
- ANALOG OUT L/R jacks **4** (6)
- CONTROL A1II jacks **1** (6, 20)
- DIGITAL OUT OPTICAL jack **2** (7)
- Mains lead **5** (6)

Remote Control



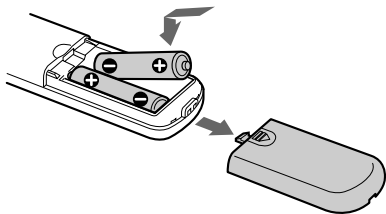
ANALOG OUT LEVEL +/- **26** (6, 7, 10)
 CD1/2/3 switch **1** (7)
 CHECK **9** (13)
 CLEAR **22** (13, 14, 16, 17)
 CONTINUE **3** (9, 13, 15, 18)
 DISC/CAPS **6** (10, 17)
 DISC SKIP +/- **16** (9, 12, 13)
 ENTER **21** (17)
 FADER/DEL **20** (14, 20)

HIGH-LIGHT **23** (12)
 MEGA CONTROL **4** (18, 19)
 MUSIC SCAN **11** (10)
 NAME INPUT **12** (17)
 NO DELAY **19** (19, 20)
 Number buttons **7** (10, 13, 17)
 PROGRAM **17** (9, 13, 18)
 REPEAT **10** (10, 18)
 SHUFFLE **2** (9, 10, 18)
 TIME/TEXT/SPACE **5** (11, 17)
 X-FADE **18** (19, 20)

BUTTON DESCRIPTIONS

>10 **8** (10, 13)
 ► **24** (9, 13, 15, 18, 20, 22)
 || **13** (10, 15, 18, 22)
 ■ **25** (10, 15, 18)
 ◀◀/▶▶ **14** (10, 13, 15, 17, 18, 19)
 ◀◀▶▶ **15** (10, 14, 17, 18)


Inserting Batteries Into the Remote Control



You can control the player using the supplied remote.

Insert two R6 (size AA) batteries by matching the + and – on the batteries to the diagram inside the battery compartment.

Insert the negative (–) end first, then push in and down until the positive (+) end clicks into position.

When using the remote, point it at the remote sensor  on the player.

Tip

When the remote no longer operates the system, replace both batteries with new ones.

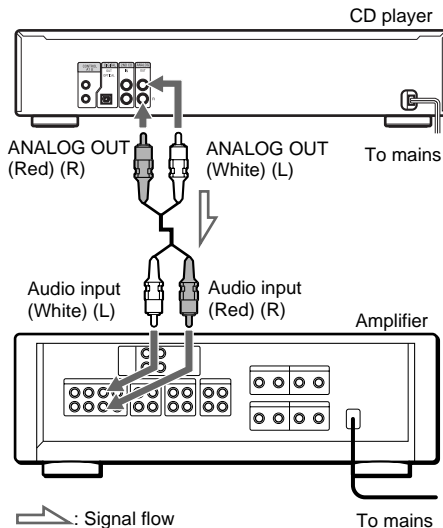
Note

- Do not leave the remote near an extremely hot or humid place.
- Do not drop any foreign object into the remote casing, particularly when replacing the batteries.
- Do not expose the remote sensor to direct sunlight or lighting apparatuses. Doing so may cause a malfunction.
- If you don't use the remote for an extended period of time, remove the batteries to avoid possible damage from battery leakage and corrosion.

Hooking Up the System

Hookups

This section describes how to hook up the CD player to an amplifier. Be sure to turn off the power of each component before making the connections.



Tips

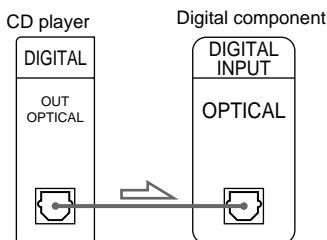
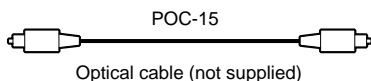
- You can adjust the analog output level to the amplifier using the remote comes with this player. Press ANALOG OUT LEVEL +/- on the remote. You can reduce the output level up to –20 dB. When you reduce the analog output level, “FADE” appears in the display.
- If you have a Sony component with the CONTROL AIII jack, connect the component via the CONTROL AIII jack. You can simplify the operation of audio systems composed of separate Sony components. For details, see “Using the CONTROL AIII control system” on page 20.

Making digital hookups

If you have a digital component such as a digital amplifier, D/A converter, DAT, or MD, connect the component via the DIGITAL OUT (OPTICAL) connector using the optical cable (not supplied). Take off the cap and plug in the optical cable.

Note that you cannot use the following functions when making this connection:

- Fading In or Out (see page 14)
- Adjusting the output level using the ANALOG OUT LEVEL +/- buttons on the remote



Note

When you connect via the DIGITAL OUT (OPTICAL) connector, noise may occur when you play CD software other than music, such as a CD-ROM.

When using another Sony CD player in conjunction with this player

You can set the supplied remote to be effective on this player only.

- If the other player's command mode can be set: Set the CD1/2/3 switch of this player's remote to CD1 (factory setting), and set the other player's remote to CD2 or CD3.
- If the other player's command mode cannot be set: Set the CD1/2/3 switch of this player's remote to CD2 or CD3. When you change the command mode of the remote, you have to set the command mode of each player. For details, see "Changing the command mode of the player" on page 8.

Transporting the player

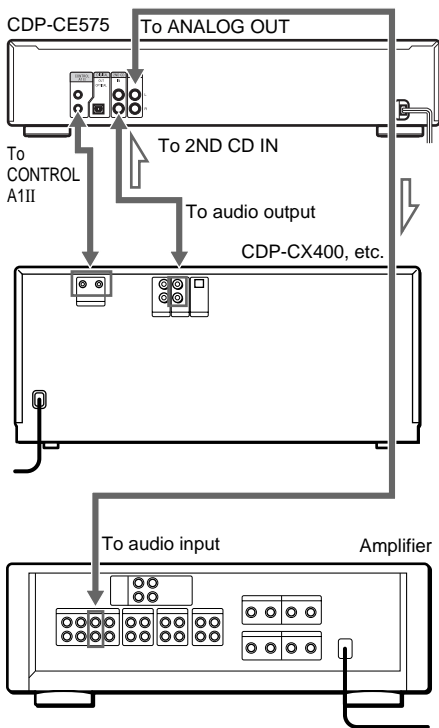
Before transporting the player, follow the procedure below to return the internal mechanisms back to their original position.

- 1 Remove all the discs from the disc tray.**
- 2 Press \cong OPEN/CLOSE to close the disc tray.**
"–NO DISC–" appears in the display.
- 3 Wait for 10 seconds, then press POWER to turn off the player.**

Connecting Another CD Player

If you have a Sony CD player in which 5, 50, 200, 300, or 400 discs can be inserted and which is equipped with the CONTROL A1II (or CONTROL A1) jack and the command mode of that player can be set to CD 3, you can control that player as the second player with this player. After connecting this player and an amplifier, follow the procedure below.

Be sure to turn off the power of each player before making this connection.



1 Connect the players with an audio cord (see also “Hookups” on page 6).

2 Connect the players with a monaural (2P) mini-plug cord.

For details on this connection, see “Using the CONTROL A1II control system” on page 20.

3 Set the command mode of this player to CD1 (factory setting) or CD2, and set that of the second player to CD3.

Check the display for the current command mode of this player, if the mode is CD3, you have to change the mode as described below.

When the setting of both players is complete, set the CD1/2/3 switches on each remote accordingly.

For details on how to operate the second player, see “Controlling Another CD Player” on page 18 and “Playing Alternately” on page 19.

Notes

- Do not connect a player other than that you use as the second player to the 2ND CD IN jacks of this player.
- When connecting a second CD player, do not connect the DIGITAL OUT (OPTICAL) connector of this player to the amplifier.

Changing the command mode of the player

1 Press MENU.

2 Turn ◀◀ AMS ▶▶ to select “COMMAND MODE.”

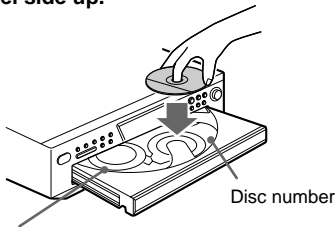
3 Push ◀◀ AMS ▶▶.

The current command mode appears.

4 Turn ◀◀ AMS ▶▶ to select CD1 or CD2, then push ◀◀ AMS ▶▶ again.

Loading a CD

- 1** Turn on the amplifier and select the CD player position so that you can listen to the sound from this player.
- 2** Press POWER to turn on the player.
- 3** Press \cong OPEN/CLOSE.
The disc compartment slides out.
- 4** Place a disc on the disc tray with the label side up.



When you play a CD single, place it on the inner circle of the tray.

- 5** To place other discs, press DISC SKIP and place the discs in the order you want to play.

Each time you press the button, the disc tray turns and you can place the discs in the empty disc compartments. The player plays the disc in front of you first.

- 6** Press \cong OPEN/CLOSE to close the disc compartment.

Playing the CD

—Normal Play/Shuffle Play/Repeat Play

This unit lets you play the CD in different play modes.

- 1** Select the play mode.

To play	Press
All discs in the player consecutively in the order of disc number.	CONTINUE repeatedly until "ALL DISCS" appears.
Only the disc you've selected.	CONTINUE repeatedly until "1 DISC" appears.
All tracks on all discs in random order.	SHUFFLE repeatedly until "ALL DISCS SHUFFLE" appears.
All tracks on the specific disc in random order.	SHUFFLE repeatedly until "1 DISC SHUFFLE" appears.
The tracks on the CD in the order you want them to be played (see "Programming the CD tracks" on page 13).	PROGRAM.

- 2** Press \triangleright .

Tips

- You can select the disc you want to start playing first by pressing one of the DISC 1 – 5 buttons.
- You can specify discs during ALL DISCS Shuffle Play mode, and the tracks on the specified discs are played in a random order.

Press DISC 1 – 5 to specify the discs after Step 1.

Semi-circles appear around the specified disc numbers in the display. To cancel the selected discs, press DISC 1 – 5 again. The semi-circles disappear.

To return to ALL DISCS Shuffle Play, press SHUFFLE until "ALL DISCS SHUFFLE" appears in the display.

continued

Playing the CD (continued)

Repeat Play Operations

You can play the CD tracks repeatedly in any play modes.

To activate the Repeat Play function, press REPEAT until "REPEAT" appears in the display.

To	Press REPEAT
Repeat only one track	Until "REPEAT 1" appears while playing the track you want to repeat.
Cancel Repeat Play	Until "REPEAT" or "REPEAT1" disappears.

When you are in the Repeat Play function, the player repeats the tracks as follows:

When the disc is played in	The player repeats
Continuous Play (ALL DISCS)	All the tracks on all discs
Continuous Play (1 DISC)	All the tracks on the current disc
Shuffle Play (ALL DISCS)	All the tracks on all discs in random orders
Shuffle Play (1 DISC)	All the tracks on the current disc in random orders
Program Play (page 13)	The same program

Other Operations

To	Do this
Stop playback	Press ■.
Pause	Press II. Press II again or ▷ to resume play.
Select a track	During play or pause, turn ◀◀◀AMS▶▶▶ clockwise (to go forward) or counterclockwise (to go backward) (or press ▶▶▶ (to go forward) or ◀◀◀ (to go backward) on the remote).

To	Do this
Select a track directly	Press the number button on the remote.*
Go to the next disc	Press DISC SKIP.
Select a disc directly	Press DISC 1 – 5. When using the remote, follow the procedure below. 1 Press DISC. 2 Press the number button of the disc. 3 Press ENTER.
Find a point in a track	Press and hold ▶▶ or ◀◀ during playback, and release at the desired point.
By scanning each track for 10 seconds (Music Scan)	Press MUSIC SCAN. When you find the track you want, press ▷ to start playing the track. Each time you press MUSIC SCAN, the playing time changes cyclically.
Play tracks in random order	Press SHUFFLE until "SHUFFLE" appears in the display.
Remove the CD	Press ⏏/OPEN/CLOSE.
Adjust the volume	Press ANALOG OUT LEVEL +/- on the remote.

* When you directly locate a track numbered over 10, press >10 first, then the corresponding number buttons. To enter "0," use button 10.

Example: To play track number 30
Press >10 first, then 3 and 10.

Tips

- You can adjust the analog output level with the ANALOG OUT LEVEL +/- on the remote (page 6).
- You can adjust the headphones volume on the remote. To adjust the volume, connect the headphones to the PHONES jack and adjust the volume with the ANALOG OUT LEVEL +/- on the remote.
- If there is no CD in the player, "–NO DISC–" appears in the display.

Notes

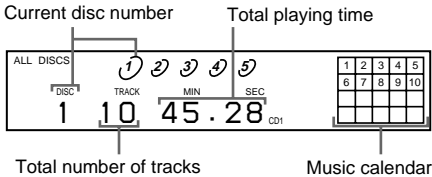
- If "OVER" appears in the display, the disc has reached the end while you were pressing ▶▶▶. Press ◀◀◀ or turn ◀◀◀AMS▶▶▶ counterclockwise to go back.
- If you press ANALOG OUT LEVEL +/- while recording, the recording level will change even when it is preset on the tape deck, etc.

Using the CD display

You can check information about the disc using the display.

In the stop mode

Press **TIME/TEXT**.



The display shows the current disc number, the total number of tracks, total playing time, and music calendar.

The information also appears when you press **OPEN/CLOSE** to close the disc tray.

Notes on the disc number indications

- The red circle around a disc number indicates the disc is ready to be played.
- When all the tracks on a disc have been played, the semi-circle around the disc number disappears.
- When a disc compartment is recognized as empty, the semi-circled disc number disappears.

During normal playback

While playing a disc, the display shows the current disc number, track number, playing time of the track and the music calendar.

The track numbers in the music calendar disappear after they are played.

To check the remaining time

Press **TIME/TEXT** during playback.

Each time you press this button while playing a disc, the display changes as shown in the chart below.

Playing time on the current track →
Remaining time on the current track →
Remaining time on the disc

Note

In Program Play mode, the remaining time on the disc does not appear.

While playing a CD TEXT disc

CD TEXT discs have information, such as the disc titles or artist names, memorized in a blank space on the discs where, on normal discs, there is no information. The display shows the CD TEXT information of the disc so that you can check the current disc title, artist name, and track title. When the player detects CD TEXT discs, the “CD TEXT” indication appears in the display.

In the Stop Mode

Press **TIME/TEXT**.

Each time you press this button, the display changes as shown in the chart below.

Disc title → Artist name → Total number of tracks and total playing time

During normal playback

Press **TIME/TEXT**.

Each time you press this button, the display changes as shown in the chart below.

Track title → Playing time on the current disc → Remaining time on the current track → Remaining time on the disc

If a title or name has more than 12 characters, the first 12 characters will light up after the title or name scrolls by in the display.

continued

Using the CD display (continued)

Tip

Some CD TEXT discs have a feature to play only the highlights of the discs.

Press HIGH-LIGHT on the remote to start playing disc highlights in the stop mode.

“HIGH LIGHT” appears momentarily in the display while playing disc highlights.

Notes

- The display may not show all the characters depending on the disc.
- This player can only display the disc titles, track titles and artist names from CD TEXT discs. Other information cannot be displayed.

Replacing Discs While Playing a Disc

You can open the disc tray while playing a disc so that you can check what discs are to be played next and replace discs without interrupting playback of the current disc.

1 Press EX-CHANGE.

The disc tray opens and two disc compartments appear. Even if the player is playing a disc, it doesn't stop playing.

2 Replace discs in the compartments with new ones.

The player plays the disc on the left side compartment after the current disc, and then the one on the right side compartment.

3 Press DISC SKIP.

The disc tray turns and other two disc compartments appear.

4 Replace discs in the compartments with new ones.

5 Press EX-CHANGE.

The disc tray closes.

While the disc tray is open by pressing the EX-CHANGE button

- If the playback of the current disc ends, the player stops playing. If the disc is played in 1 DISC Repeat Play mode (see page 10), the current disc starts playing again.
- In ALL DISCS Shuffle Play mode (see page 9), tracks are reshuffled on the current disc.
- In Program Play mode (see page 13), only the tracks on the current disc are played.
- **Do not push the disc tray to close it in Step 5, as you may damage the player.**

Programming the CD tracks

You can arrange the order of the tracks on the discs and create your own program. The program can contain up to 32 “steps” — one “step” may contain a track or a whole disc.

1 Press PROGRAM so that “PROGRAM” appears in the display before you start playing.

If a program is already stored, the last step of the program appears in the display. When you want to erase the whole program, hold down CLEAR until “CLEAR” appears in the display (see page 14).

2 Press DISC 1 – 5 to select the disc.

“AL” in the display stands for “all” tracks.

When you want to program the whole disc as one step, skip Step 3, and go to Step 4.

3 Turn $\lll\lll\text{AMS}\ggg\ggg$ until the track you want appears and push $\lll\lll\text{AMS}\ggg\ggg$ to select the track.

The track number that you programmed, the playing order, and the total playing time appear in the display.

If you’ve made a mistake

Press CLEAR, then repeat Step 3.

Tip

You can select the track using the number buttons on the remote. To select a track with a number over 10, use >10 (see page 10).

4 To program other discs or tracks, do the following:

To program	Repeat Step(s)
Other discs	2
Other tracks on the same disc	3
Other tracks on other discs	2 and 3

5 Press \triangleright to start Program Play.

To cancel Program Play

Press CONTINUE.

Tips

- You can create your program while checking the disc labels.
While the disc tray is open, follow Steps 1 to 4 with pressing the DISC SKIP button to check the disc labels. If you close the disc tray before Step 5, the total playing time appears in the display after a while.
Note that, if the programmed track number isn’t found on the disc, that step is automatically erased.
- The program remains even after the Program Play ends. When you press the \triangleright button, you can play the same program again.
- The program remains until you erase it. If you replace discs, the programmed disc and track numbers remain. So, the player plays only the existing disc and track numbers. However, the disc and track numbers that aren’t found in the player or on the disc are deleted from the program, and the rest of the program is played in the programmed order.
- For the recording to the A side or B side of the cassette tape, you can pause Program Play.

Note

The total playing time doesn’t appear when:

- You have programmed a track whose number exceeds 20.
- The total playing time of the program exceeds 200 minutes.

Checking the track order

You can check your program before or after you start playing.

Press CHECK.

Each time you press this button, the display shows the track (the disc and track numbers) or the disc (the disc number and “AL” indication) of each step in the programmed order. After the last step in the program, the display shows “– END –” and returns to the original display. If you check the order after you start playing, the display shows only the remaining steps.

continued

Creating your own program (continued)

Changing the track order

You can change your program before you start playing.

To	You need to
Erase a track	Press CHECK until the track you don't want appears in the display, then press CLEAR.
Erase the last track in the program	Press CLEAR. Each time you press the button, the last track will be cleared.
Add tracks to the end of the program	Follow Steps 2 through 4 of the programming procedure.
Change the whole program completely	Hold down CLEAR until "CLEAR" appears in the display. Create a new program following the programming procedure.

Fading In or Out

You can manually fade in or out to prevent tracks from starting or ending abruptly.

Note that you cannot use this effect when you use the DIGITAL OUT (OPTICAL) connector.

To	Press FADER
Start play fading in	During pause. "FADE" flashes. The play fades in.
End play fading out	When you want to start fading out. "FADE" flashes. Then play fades out and the player pauses.

Fading time lasts for 5 seconds.

Recording a CD by Specifying Tape Length (Time Edit)

You can have the player create a program that will fit the length of the tape.

The player automatically creates a program, keeping the original order of the disc.

The program can contain up to 32 steps (a pause inserted between steps is counted as one step).

Note that tracks numbered over 20 cannot be programmed automatically.

- 1 Press DISC SKIP to select the disc.**
- 2 Press TIME EDIT repeatedly before you start playing until "EDIT" appears and "A" in the $\left[\begin{smallmatrix} \Delta \\ \ominus \end{smallmatrix} \right]$ indication flashes in the display.**

- 3 Press \leftarrow or \rightarrow to specify the tape length.**

Each time you press these buttons, the display changes as shown below, with the tape length of one side following each indication.

```

C-46 23.00 ↔ C-54 27.00 ↔ C-60 30.00
      ↓                               ↓
      - - - ↔ C-90 45.00 ↔ C-74 37.00
  
```

- 4 Press TIME EDIT to have the player create the program.**

The display shows the tracks to be recorded. "B" in the $\left[\begin{smallmatrix} \Delta \\ \ominus \end{smallmatrix} \right]$ indication flashes in the display.

- 5 When you record on both sides of the tape, press TIME EDIT again.**

The player inserts a pause, then creates the program for side B. The display shows the programmed tracks.

When you record on one side of the tape, skip this step.

6 Start recording on the deck and then press **▷** on the player.

7 Reverse the tape to side B and press **▷** or **II** on the player to resume playing the remaining tracks.

To cancel Time Edit

Press CONTINUE.

Tips

- You can program the tracks you want in advance. Create a program selecting the desired tracks, then follow Steps 2 to 7. Be careful that the total playing time of the program does not exceed the tape length of one side.
- You can set the tape length freely using **⏪AMS ⏩**.
Example: When the tape length of one side is 30 minutes and 15 seconds
1 To set the minutes, turn **⏪AMS ⏩** until “30” appears in the display, then push **⏪AMS ⏩**.
2 To set the seconds, turn **⏪AMS ⏩** until “15” appears in the display, then push **⏪AMS ⏩**.
- To check and change your program, see pages 13 and 14.

Adjusting the Recording Level (Peak Search)

The player locates the highest level among the tracks to be recorded to let you adjust the recording level before you start recording.

1 Before you start playing, press PEAK SEARCH.

“PEAK” flashes in the display and the player starts scanning the disc searching for the highest peak level.

After scanning all the tracks, the player repeats the portion with the highest peak level.

2 Adjust the recording level on the deck.

3 Press ■ on the player to stop Peak Search.

“PEAK” disappears from the display.

Notes

- The portion with the highest level may differ every time you try the adjustment on the same disc. The difference is, however, so slight that you won't find any problem in adjusting the recording level precisely.
- Peak Search does not operate while you open the disc tray by pressing the EX-CHANGE button.

What You Can Do With the Custom Files

The player can store the information called “Custom Files” for each disc. By using this function, you can label discs using up to 12 characters.

Once you have stored Custom Files for a disc, the player automatically recalls what you have stored whenever you select the disc. Note that Custom Files will be erased if you do not use the player for about one month.

Where are Custom Files stored?

Custom Files are stored not on the disc, but in the player’s memory. It means you cannot use Custom Files when you play the disc on other players.

Erasing all Custom Files of all discs

Turn off the player. While holding down CLEAR, press POWER to turn on the player. “ALL ERASE” appears in the display, and all Custom Files will be erased.

Labeling Discs (Disc Name)

You can label discs using up to 12 characters and have the player display the Disc Name each time you select the disc. The Disc Name can be anything you like, such as a title, musician’s name, category or date of purchase.

Tip

When you select a CD TEXT disc, the disc title is stored as the Disc Name automatically. If the disc title has more than 12 characters, the first 12 characters of the disc title are stored. Note that you cannot change the Disc Name of the CD TEXT disc.

Labeling discs on the player

- 1** Insert or select the disc.
- 2** Press MENU.
“DISC NAME” flashes in the display.
- 3** Push \lll AMS \ggg .
“NAME INPUT” appears, then the flashing cursor ($_$) appears.
- 4** Turn \lll AMS \ggg until the character you want appears in the display.
The cursor disappears and the first space for the Disc Name flashes.
As you turn \lll AMS \ggg clockwise, the characters appear in the following order.
Turn \lll AMS \ggg counterclockwise to go back to the previous character.

(space) A B C D E F G H I J K L M N O
P Q R S T U V W X Y Z a b c d e f g h i j
k l m n o p q r s t u v w x y z 0 1 2 3 4 5 6
7 8 9 ! “ # \$ % & ’ () * + , - . / : ; < = > ?
@ _

5 Push **◀◀ AMS ▶▶** **to select the character.**

The selected character lights up, and the flashing cursor appears to indicate the next space to be input.

To insert a space

Press **▶▶**.

If you have made a mistake

Press **◀◀/▶▶** to flash the incorrect character, then input the correct character.

6 Repeat Steps 4 and 5 to input more characters.

7 Press MENU to store the Disc Name.

Repeat Steps 1 to 7 to assign Disc Names to other discs.

If you have made a mistake while inputting the character

To correct the character which has been input

- 1 Press **◀◀** or **▶▶** until the incorrect character flashes.
- 2 Turn **◀◀ AMS ▶▶** until the desired character appears.

To correct the character currently being input

- 1 Press CLEAR to delete the incorrect character.
- 2 Input the correct character.

To insert a character between the input characters

Press **◀◀** or **▶▶** until the cursor moves to the former of the two characters, then press ENTER and input the correct character.

Labeling discs using the remote

1 Press DISC in Continuous Play Mode.

2 Press the number button of the disc you want to assign a Disc Name, and then ENTER.

3 Press NAME INPUT.

The flashing cursor (␣) appears.

4 Press CAPS to find the letter type you want.

Each time you press the button, the letter type changes cyclically among capital letters (ABC), small letters (abc) and numbers (123). To select a symbol, you have to select the capital or small letter type.

5 To input a letter, press the number button corresponding to the letter you want (indicated beside each number button).

Each time you press the button, the letter changes cyclically among the ones indicated beside the button.

To input symbols, press the number button 1 repeatedly until the symbol you want appears in the display.

To insert a space, press SPACE once.

To input a number, press the number button you want.

6 Press ▶▶ to select the character.

The selected character lights up, and the flashing cursor appears to indicate the next space to be input.

You can also go to the next space by pressing other number buttons.

7 Repeat Steps 4 through 6 to input more characters.

8 Press NAME INPUT to store the Disc Name.

Repeat Steps 1 through 8 to assign Disc Names to other discs.

Erasing the Disc Name

1 Follow Steps 1 and 3 in “Labeling discs on the player” on page 16 to select the Disc Name you want to erase.

2 Press CLEAR repeatedly until all the characters disappear.

3 Press MENU.

Controlling Another CD Player (Advanced Mega Control)

This unit can control a second CD player (see “Connecting Another CD Player” on pages 8).

Even when a second CD player is connected, the controls on both of the units will function. When you press the play button on either unit, the operating player stops and the resting player starts.

Note that depending on the player, you may not be able to operate all the functions of the second CD player.

The controls as described below are effective while the MEGA CONTROL button is lit:

CONTINUE, SHUFFLE, PROGRAM,
REPEAT, MENU, MEGA CONTROL,
⏮ AMS ⏭, ⏪, ⏩, ⏸, ⏮/⏭

Playing discs of the second CD player

1 Press MEGA CONTROL.

The MEGA CONTROL button lights up and the display shows the current disc number of the second player.

2 Select the play mode you want.

To program tracks, use the controls on the second player.

3 Press ⏪ to start playing.

The play starts and the display shows the current disc and track numbers and the playing time of the track.

While the MEGA CONTROL button is lit, you can control the second player with the controls on this player as follows:

To	You need to
Pause	Press ⏸.
Stop play	Press ■.
Locate a disc while the second player is set to Continuous Play mode	Turn ⏮ AMS ⏭ until the display shows the disc number you want, then push ⏮ AMS ⏭.
Locate a track	Press ⏮/⏭ until the display shows the track number you want.

- To do other operations, use the controls on the second player or the supplied remote.
- The AMS buttons (⏮/⏭) and search buttons (⏮/⏭) on the remote operate the second player as indicated on the remote.

To control the second player directly using the supplied remote

Set CD 1/2/3 on the remote to CD 3, which is the same mode set for the second player.

To control this player again

Press MEGA CONTROL. The MEGA CONTROL button goes off and you can control this player.

Notes

- You cannot locate a particular point in a track of the second player using the controls on this player.
- Some controls on this player work on the second player differently from they do to this player.

Loading the Disc Names (Disc Memos) of the second CD player

If the second CD player has the Disc Name (Disc Memo) function (see page 16), you can load the Disc Name (Disc Memo) of the second CD player to this player’s memory and display them on this player.

1 Press MENU.

2 Turn ⏮ AMS ⏭ until “LOAD 2ndNAME” appears in the display.

3 Push ⏮ AMS ⏭.

This player starts loading. (Loading takes about one minute.)

Note

If each Disc Name (Disc Memo) of the second CD player has more than 12 characters, the first 12 characters of each are loaded to this player.

Labeling discs of the second CD player

You can label discs of the second CD player or change the Disc Names (Disc Memos) loaded from the second CD player.

- 1 Press MEGA CONTROL.**
The MEGA CONTROL button lights up.
- 2 Press CONTINUE.**
- 3 Turn \lll AMS \ggg to select the disc you want, then push \lll AMS \ggg .**
- 4 Press MENU.**
- 5 Turn \lll AMS \ggg until "DISC NAME" appears in the display, then push \lll AMS \ggg .**
- 6 Input the new Disc Name (Disc Memo) following the procedure in "Labeling Discs" on page 16.**

Note

The new Disc Names (Disc Memos) are stored on this player's memory, so you cannot display them on the second CD player.

Playing Alternately (No-Delay Play/X-Fade Play)

When you connect the second player, you can play tracks in this player and those in the second player alternately in any play mode (see "Connecting Another CD Player" on page 8).

Select one of the following methods:

- **No-Delay Play:** The current player changes at each track. Each time the current player changes to the other player, the other player starts play without a break in sound immediately after the current player ends play. The other player skips the lead-in portion and starts playing from where the sound actually begins.
- **X-Fade Play:** The current player changes at each track or at the specified interval. You can select the interval among 30, 60 and 90 seconds. Each time the current player changes to the other player, the sound from both players is mixed. The current player ends play by fading out, and the other player starts play by fading in.

- 1 Select the play mode you want on each player.**
- 2 When you select No-Delay Play**

Press X-FADE/NO DELAY repeatedly until "NO DELAY" appears in the display (or press NO DELAY on the remote).

When you select X-Fade Play

Press X-FADE/NO DELAY (or X-FADE on the remote).

Each time you press X-FADE/NO DELAY (or X-FADE on the remote), the indication (X-Fade mode) appears as follows:

```

NO DELAY  →  X-FADE 30S  →  X-FADE 60S
      ↑                ↓
      OFF ← X-FADE ALL ← X-FADE 90S
  
```

Note

"NO DELAY" does not appear when you operate from the remote.

continued

Playing Alternately (No-Delay Play/X-Fade Play) (continued)

To change the current player each time a whole track is finished, select “X-FADE ALL.”

To change the current player at the specified interval, press X-FADE/NO DELAY repeatedly until the interval you want appears in the display.

3 Press \triangleright to start playing.

The MEGA CONTROL button lights up while the track in the second player is selected.

To check the X-Fade mode status

Press X-FADE/NO DELAY once.

The X-Fade mode status appears momentarily.

To cancel No-Delay/X-Fade Play

Press X-FADE/NO DELAY repeatedly until “X-FADE” or “NO DELAY” goes off. The current player continues playing.

Tips

- you can change the method (No-Delay or X-Fade) during play when you press X-FADE/NO DELAY in Step 2.
- When you press FADER during X-Fade Play, you can start X-Fade whenever you like. Even after you have set the X-Fade mode and started X-Fade Play, you can start X-Fade manually at the point you like. Note that you cannot do this operation while the sound from both players is mixed.

Notes

- The play starts from the second player if you start play while the MEGA CONTROL button is lit.
- When either player has played all its discs/tracks, both players stop, even if the other player has not finished yet.
- Do not use the controls on the second player during No-Delay Play/X-Fade Play. They may not work correctly.

Using the CONTROL A1II control system

This player is compatible with the CONTROL A1II Control System.

The CONTROL A1II control system was designed to simplify the operation of audio systems composed of separate Sony components. CONTROL A1II connections provide a path for the transmission of control signals that enable automatic operation and control features usually associated with integrated systems.

Currently, CONTROL A1II connections between a Sony MD deck, CD player, amplifier (receiver), and cassette deck provide automatic function selection and synchronized recording.

In the future the CONTROL A1II connection will work as a multifunction bus allowing you to control various functions for each component.

Note

The CONTROL A1II control system is designed to maintain upward compatibility as the control system is upgraded to handle new functions. In this case, however, older components will not be compatible with the new functions.

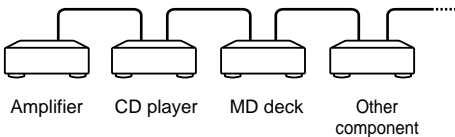
CONTROL A1II and CONTROL A1 compatibility

The CONTROL A1 control system has been updated to the CONTROL A1II which is the standard system in the Sony 300 disc CD changer and other recent Sony components. Components with CONTROL A1 jacks are compatible with components with CONTROL A1II, and can be connected to each other. Basically, the majority of the functions available with the CONTROL A1 control system will be available with the CONTROL A1II control system. However, when making connections between components with CONTROL A1 jacks and components with CONTROL A1II jacks, the number of functions that can be controlled may be limited depending on the component. For detailed information, refer to the operating instructions supplied with the component(s).

Connecting the CONTROL A1II control system

Connect monaural (2P) mini-plug cables in series to the CONTROL A1II jacks on the back of each component. You can connect up to ten CONTROL A1II compatible components in any order. However, you can connect only one of each type of component (i.e., 1 CD player, 1 MD deck, 1 tape deck and 1 receiver). (You may be able to connect more than one CD player or MD deck, depending on the model. Refer to the operating instructions supplied with the respective component for details.)

Example



In the CONTROL A1II control system, the control signals flow both ways, so there is no distinction of IN and OUT jacks. If a component has more than one CONTROL A1II jack, you can use either one, or connect different components to each jack.

About the connecting cable

When a CONTROL A1II compatible component is not supplied with a connecting cable, use a commercially available monaural (2P) mini-plug cable less than 2 meters (6.6 feet) long, with no resistance (such as the Sony RK-G69HG).

Basic functions of the CONTROL A1II control system

Automatic function selection

When you connect CONTROL A1II compatible Sony components using CONTROL A1II cables (not supplied), the function selector on the amplifier (or receiver) automatically switches to the correct input when you press the play button on one of the connected components.

(For example, when you press \triangleright (play button) on the CD while the MD deck is playing, the function selector on the amplifier switches from MD to CD.)

Notes

- This function works only when the components are connected to the amplifier (or receiver) inputs according to the names on the function buttons. Certain receivers allow you to switch the names of the function buttons. In this case, refer to the operating instructions supplied with the receiver.
- When recording, do not play any components other than the recording source. It will cause the automatic function selection to operate.

continued

Using the CONTROL A1II control system (continued)

Synchronized recording

This function lets you conduct synchronized recording between the CD and the recording component.

1 Set the source selector on the amplifier (or receiver) to the CD.

2 Set the CD to playing pause mode (make sure both the \triangleright and **II** indicators light together).

3 Set the recording component to recording pause mode.

4 Press **II** on the deck.

The CD is automatically released from pause mode, and recording begins shortly thereafter.

When play ends from the CD, recording stops.

Tip

Certain recorder components may be equipped with a special synchronized recording function that uses the CONTROL A1II Control System; like "CD Synchro Dubbing." In this case, refer to the Operating Instructions supplied with the recorder component.

Note

Do not set more than one component to the pause mode.

Precautions

On safety

- Caution — The use of optical instruments with this product will increase eye hazard.
- Should any solid object or liquid fall into the cabinet, unplug the player and have it checked by qualified personnel before operating it any further.
- Discs with non-standard shapes (e.g., heart, square, star) cannot be played on this unit. Attempting to do so may damage the unit. Do not use such discs.

On power sources

- Before operating the player, check that the operating voltage of the player is identical with your local power supply. The operating voltage is indicated on the nameplate at the rear of the player.
- The player is not disconnected from the AC power source (mains) as long as it is connected to the wall outlet, even if the player itself has been turned off.
- If you are not going to use the player for a long time, be sure to disconnect the player from the wall outlet. To disconnect the AC power cord (mains lead), grasp the plug itself; never pull the cord.
- AC power cord must be changed only at the qualified service shop.

On placement

- Place the player in a location with adequate ventilation to prevent heat build-up in the player.
- Do not place the player on a soft surface such as a rug that might block the ventilation holes on the bottom.
- Do not place the player in a location near heat sources, or in a place subject to direct sunlight, excessive dust or mechanical shock.

On operation

- If the player is brought directly from a cold to a warm location, or is placed in a very damp room, moisture may condense on the lenses inside the player. Should this occur, the player may not operate properly. In this case, remove the disc and leave the player turned on for about an hour until the moisture evaporates.

On adjusting volume

- Do not turn up the volume while listening to a portion with very low level inputs or no audio signals. If you do, the speakers may be damaged when a peak level portion is played.

On cleaning

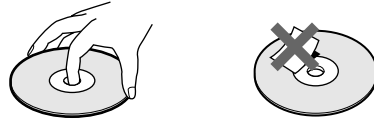
- Clean the cabinet, panel and controls with a soft cloth slightly moistened with a mild detergent solution. Do not use any type of abrasive pad, scouring powder, or solvent such as alcohol or benzine.

If you have any questions or problems concerning your player, please consult your nearest Sony dealer.

Notes on CDs

On handling CDs

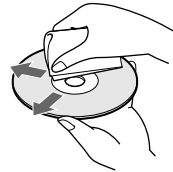
- To keep the disc clean, handle the disc by its edge. Do not touch the surface.
- Do not stick paper or tape on the disc.



- Do not expose the disc to direct sunlight or heat sources such as hot air ducts, nor leave it in a car parked in direct sunlight as there can be considerable rise in temperature inside the car.
- Do not use any commercially available stabilizer. If you do, the disc and the player may be damaged.
- After playing, store the disc in its case.

On cleaning

- Before playing, clean the disc with a cleaning cloth. Wipe the disc from the centre out.



- Do not use solvents such as benzine, thinner, commercially available cleaners or anti-static spray intended for vinyl LPs.

Notes on CD-R/CD-RW playback

- Discs recorded on CD-R/CD-RW drives may not be played back because of scratches, dirt, recording condition, or the drive's characteristics. Besides, the discs, which are not yet finalized at the end of recording, cannot be played back.

Troubleshooting

If you experience any of the following difficulties while using the player, use this troubleshooting guide to help you remedy the problem. Should any problem persist, consult your nearest Sony dealer.

There's no sound.

- Check that the player is connected securely.
- Make sure you operate the amplifier correctly.
- Adjust the analog output level with ANALOG OUT LEVEL +/- on the remote.


The CD does not play.

- There's no CD inside the player. "--NO DISC--" appears. Insert a CD.
- Place the CD with the label side up on the disc tray correctly.
- Clean the CD (see page 23).
- Moisture has condensed inside the player. Remove the disc and leave the player turned on for about an hour.
- Place the CD in the correct position on the disc tray.

The recording level has changed.

- The recording level changes if you adjust the analog output level with ANALOG OUT LEVEL +/- on the remote during recording.

The remote does not function.

- Remove the obstacles in the path of the remote and the player.
- Point the remote at the remote sensor  on the player.
- Replace all the batteries in the remote with new ones if they are weak.

The player functions incorrectly.

- The microcomputer chips may be operating incorrectly. Turn the power off, then turn it back on to reset the player.

Specifications

Compact disc player

Laser	Semiconductor laser ($\lambda = 780 \text{ nm}$) Emission duration: continuous
Frequency response	2 Hz to 20 kHz \pm 0.5 dB
Dynamic range	More than 93 dB
Harmonic distortion	Less than 0.0045%

Outputs

	Jack type	Maximum output level	Load impedance
ANALOG OUT	Phono jacks	2 V (at 50 kilohms)	Over 10 kilohms
DIGITAL OUT (OPTICAL)	Optical output connector	-18 dBm	Wave length: 660 nm
PHONES	Stereo phone jack	10 mW	32 ohms

General

Power requirements	120 V AC, 60 Hz
Power consumption	11 W
Dimensions (approx.) (w/h/d)	430 x 110 x 400 mm (17 x 4 3/8 x 15 3/4 in.) incl. projecting parts
Mass (approx.)	5.2 kg (11 lbs 8 oz)

Supplied accessories

Audio cord (2 phono plugs – 2 phono plugs) (1)
Remote commander (remote) (1)
R6 (size AA) batteries (2)

Design and specifications are subject to change without notice.